

JVC

SERVICE MANUAL

COMPACT COMPONENT SYSTEM

MX-J100

Supplement

Area Suffix

B.....U.K.
E.....Continental Europe
EN.....Northern Europe
EE.....Russia
EV.....Eastern Europe

**Change of the supplying system for CD mechanism parts for the MX-J100
(Manual No.20854).**

<Old system> Supplied as individual parts

<New system> Supplied as a unit of assembly parts

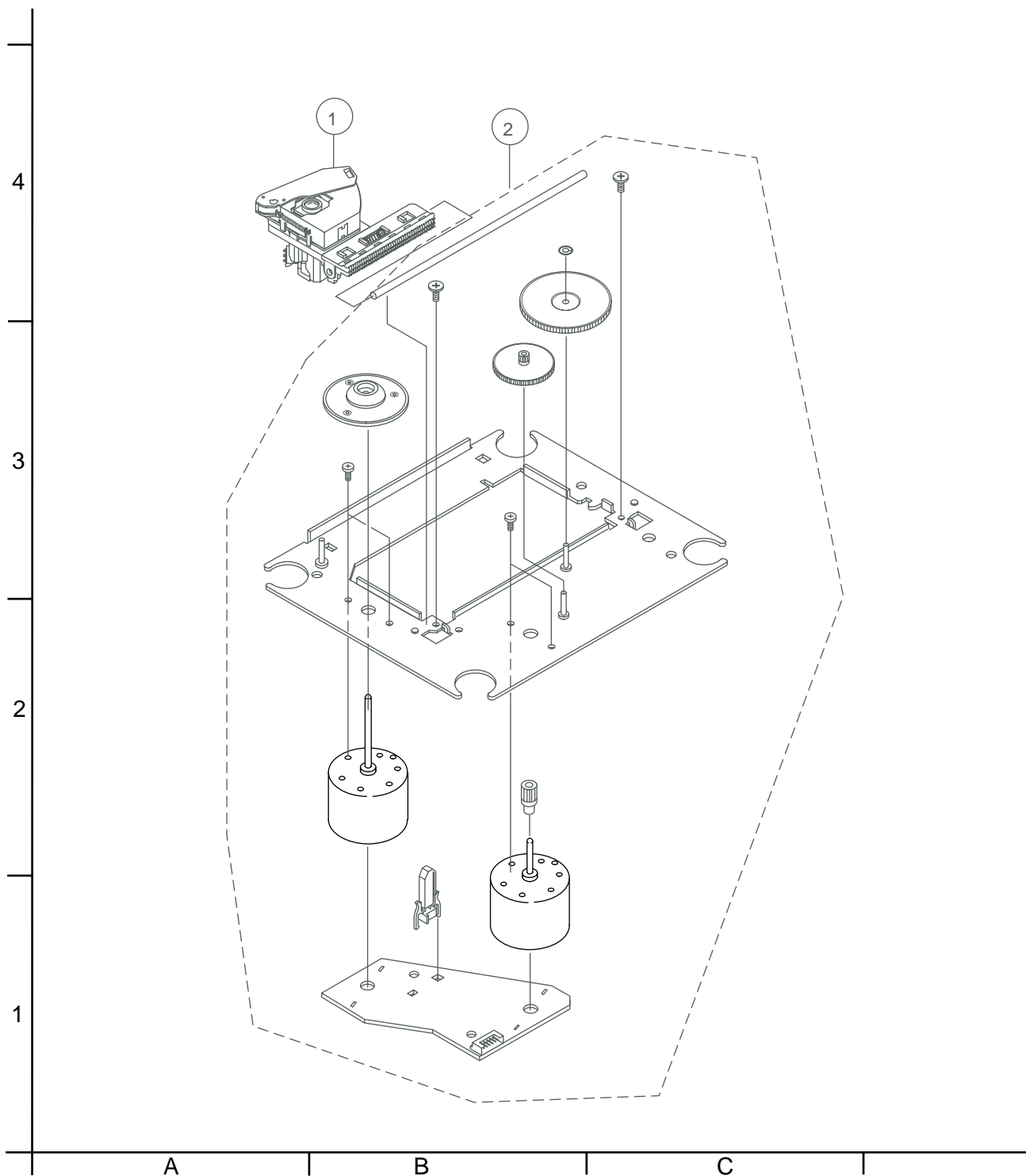
Reason : We are not able to supply individual parts for servicing.

**Please make an order for assembly parts according to the new system from
now on.**

For parts list refer to the back cover.

CD mechanism assembly and parts list

Block No. M 2 M M



Parts list(CD mechanism)

Block No. M2MM

▲	Item	Parts number	Parts name	Q'ty	Description	Area
	1	AH30-00007A	PIC UP	1	SOH-AA,D51SG6(W	
	2	AH91-60150C	CDP DECK ASSY	1	CMS-300D,-	

JVC

VICTOR COMPANY OF JAPAN, LIMITED
 AUDIO & COMMUNICATION BUSINESS DIVISION
 PERSONAL & MOBILE NETWORK BUSINESS UNIT. 10-1,1chome,Ohwatari-machi,Maebashi-city,371-8543,Japan

(No.20854B)

Printed in Japan
200104(V)